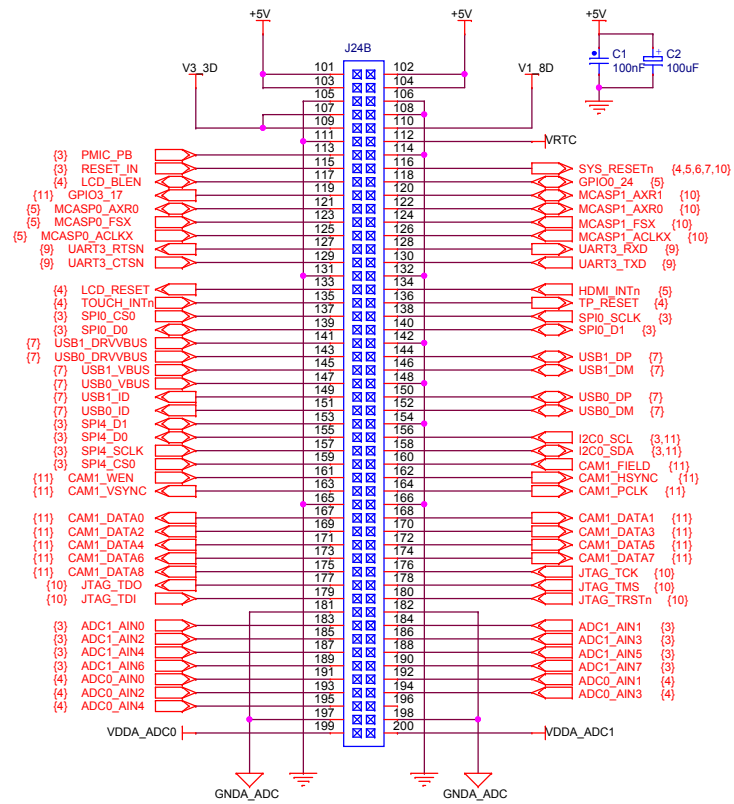
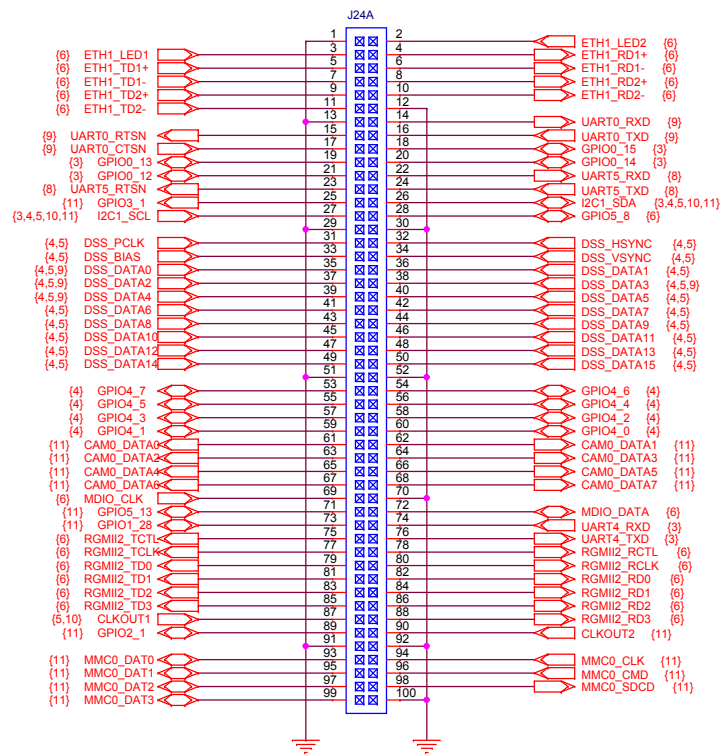
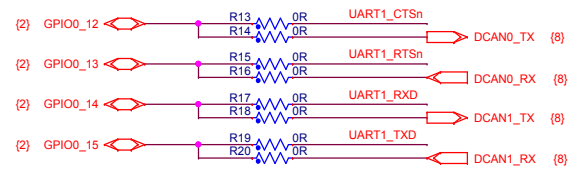
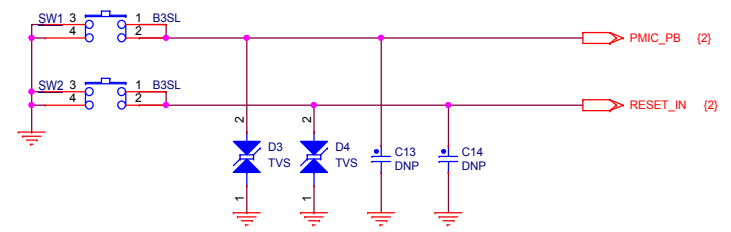
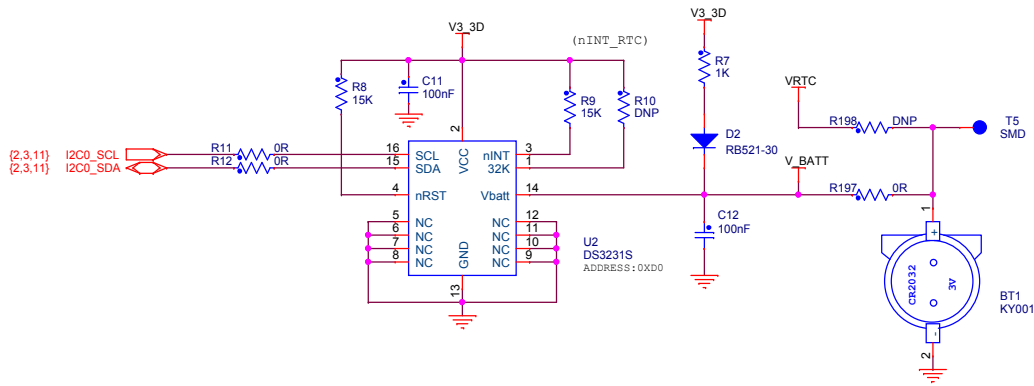
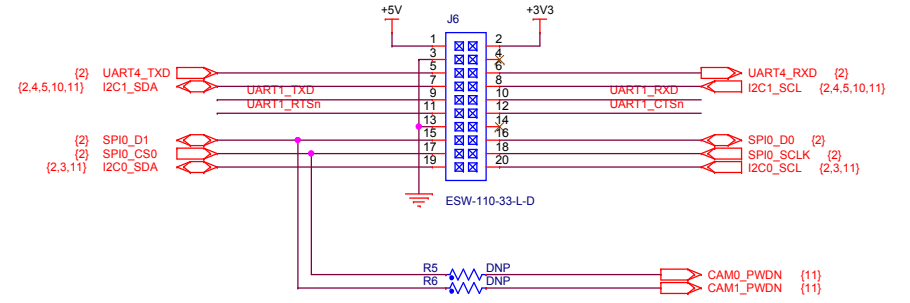
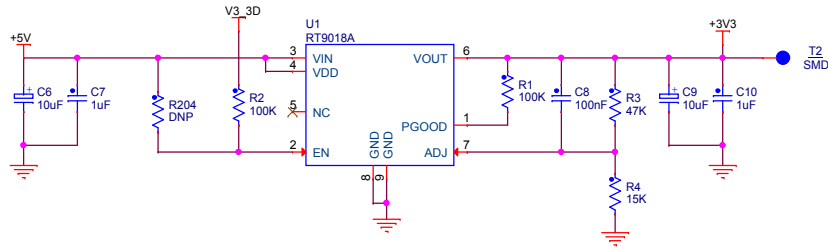
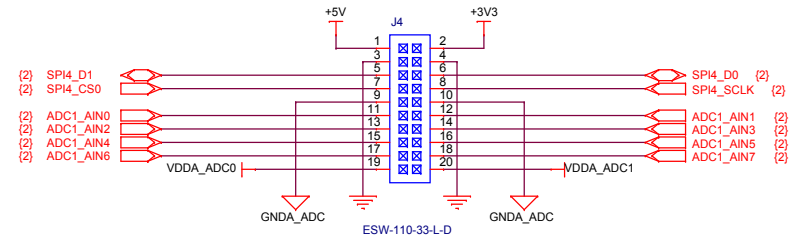
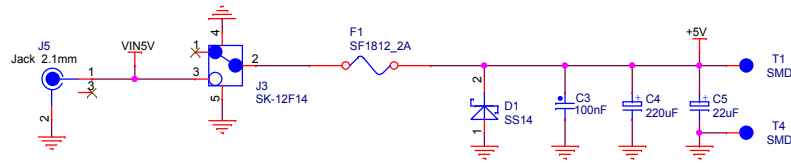
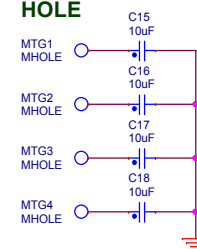


MYD-C437X Development Board

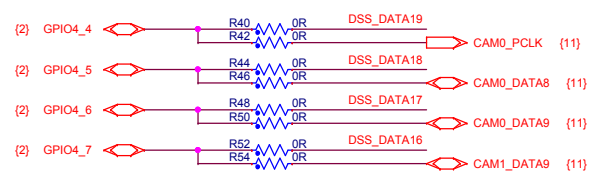
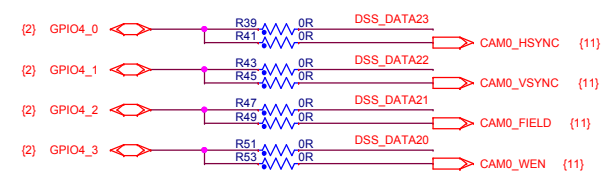
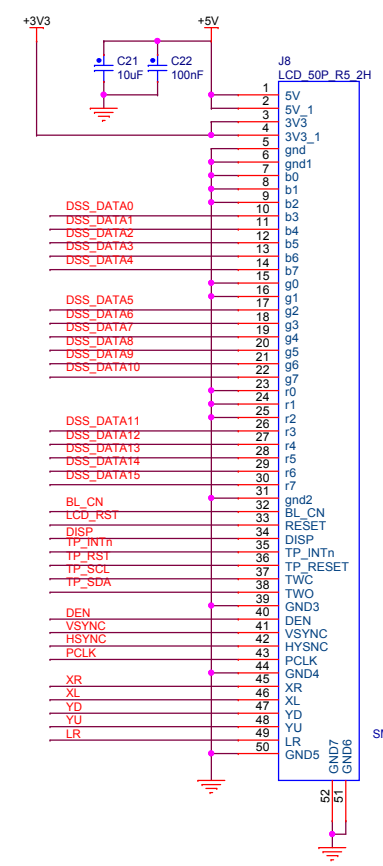
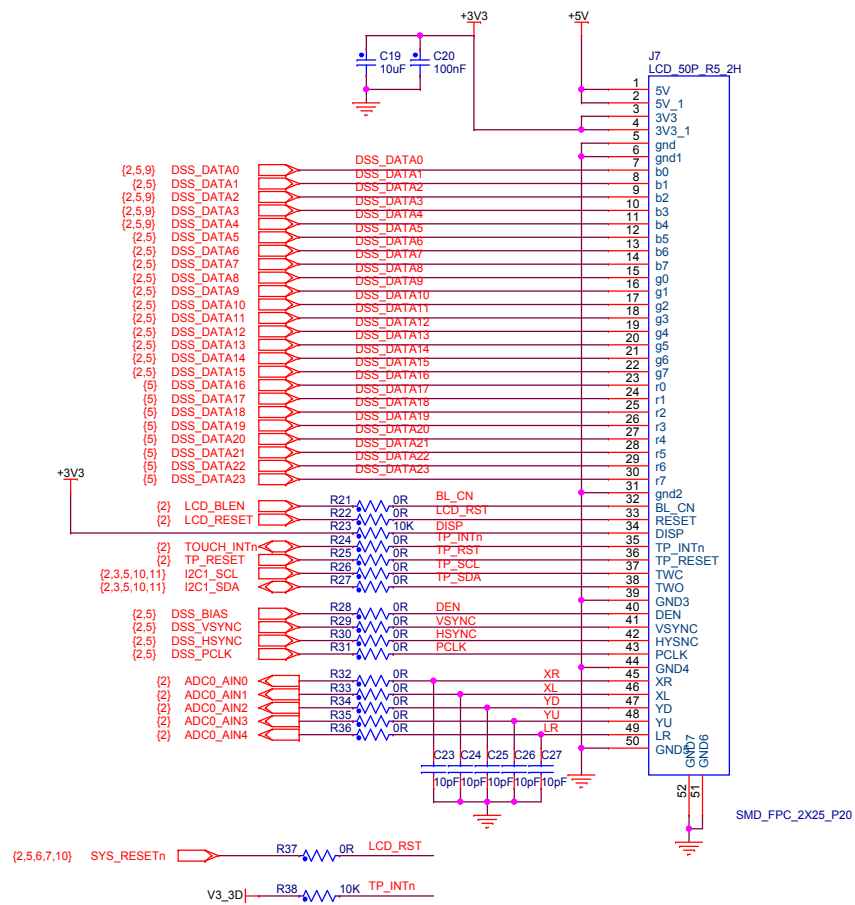


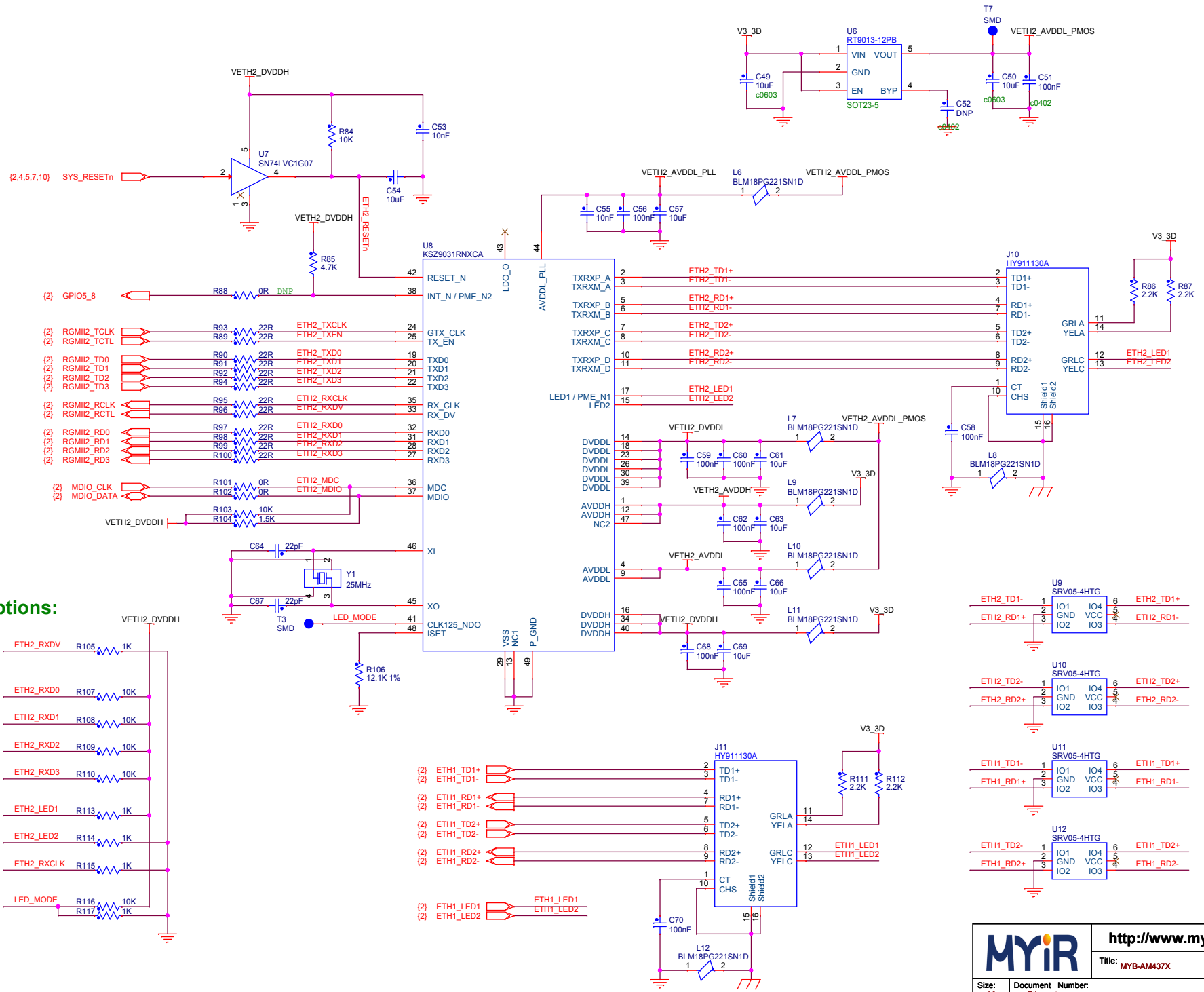


HOLE

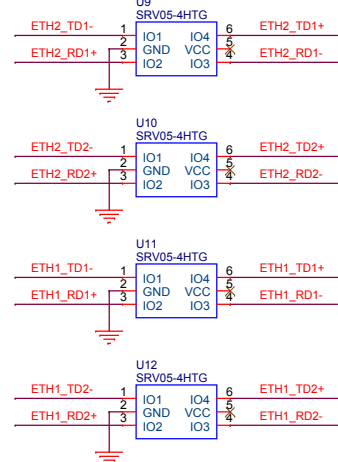
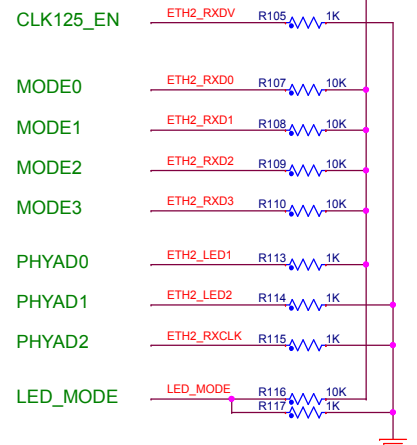


		http://www.myrir-tech.com	
		Title: MYB-AM437X	
Size: A3	Document Number: Power Supply PMIC	Rev: V1.1	
Draw By: MYIR	Date: Wednesday, October 28, 2015	Sheet: 3 of 11	





Strapping Options:



		http://www.myir-tech.com	
		Title: MYB-AM437X	
Size: A3	Document Number: Ethernet	Date: Wednesday, October 28, 2015	Rev: V1.1
Draw By: MYIR	Sheet: 6 of 11		

