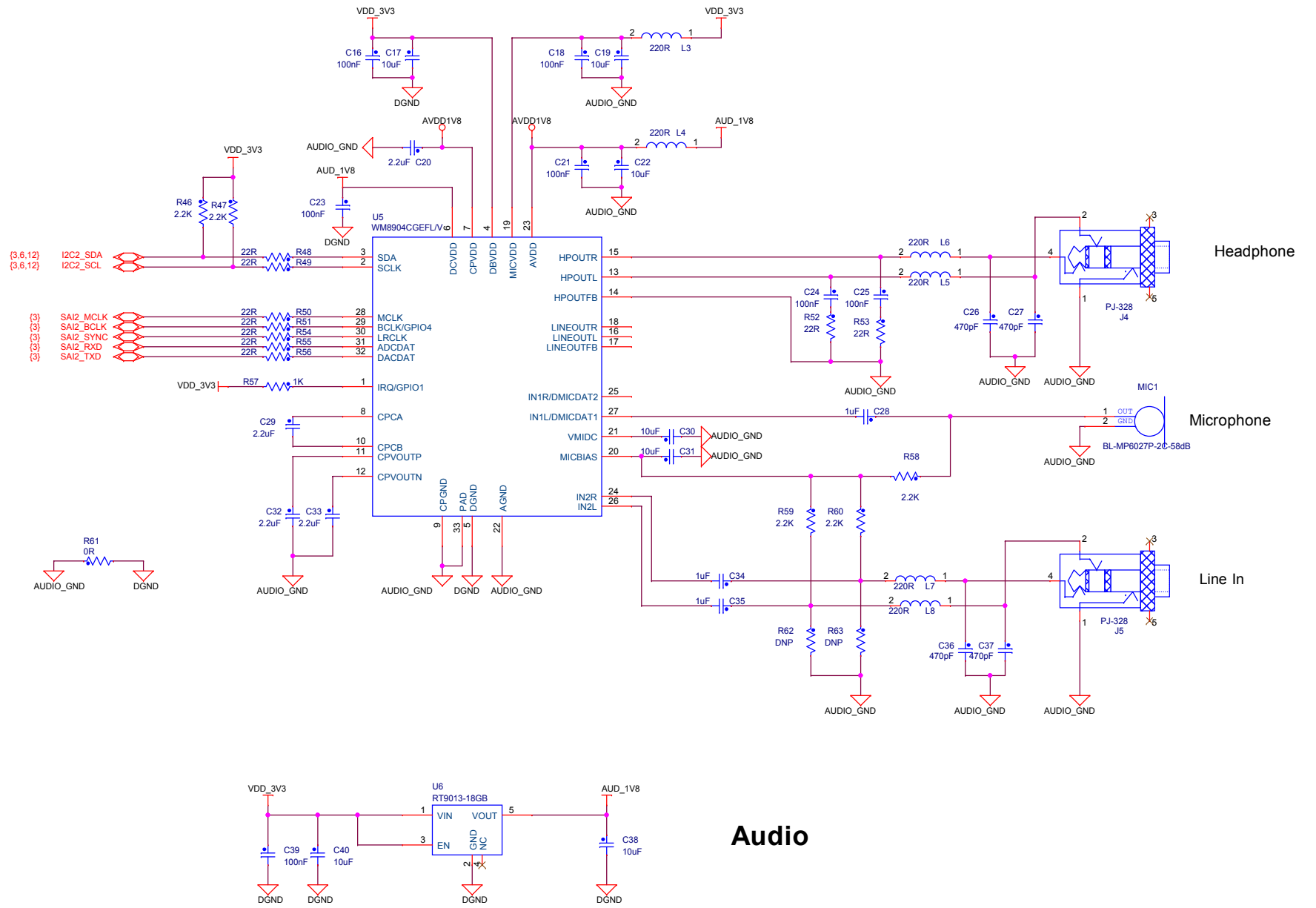


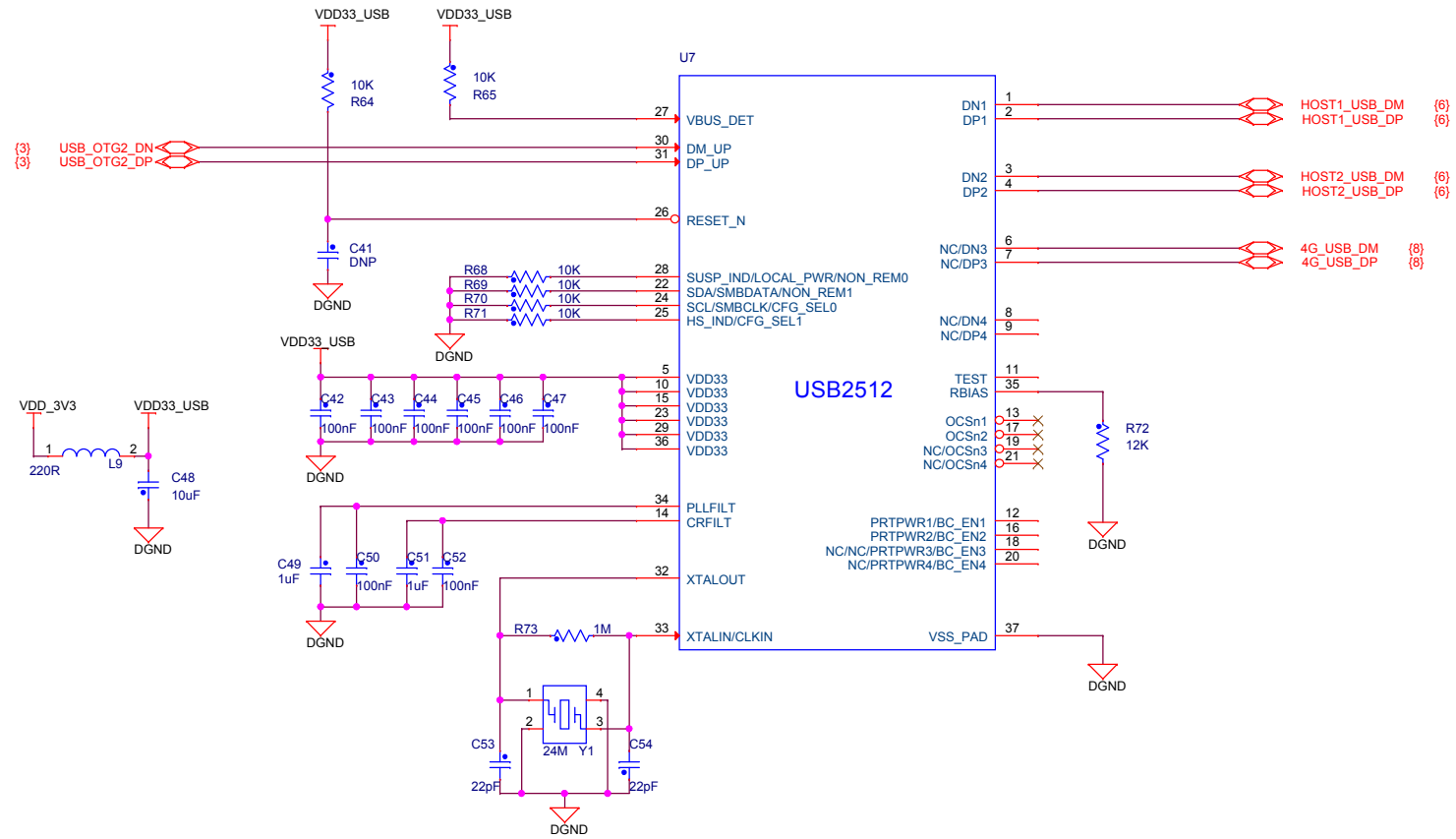
**MYIR** <http://www.myir-tech.com>


Title: MYB-Y6ULX

Size: A3	Document Number: MYC Connector	Rev: V1.2
Draw By: MYIR	Date: Wednesday, November 22, 2017	Sheet: 3 of 12

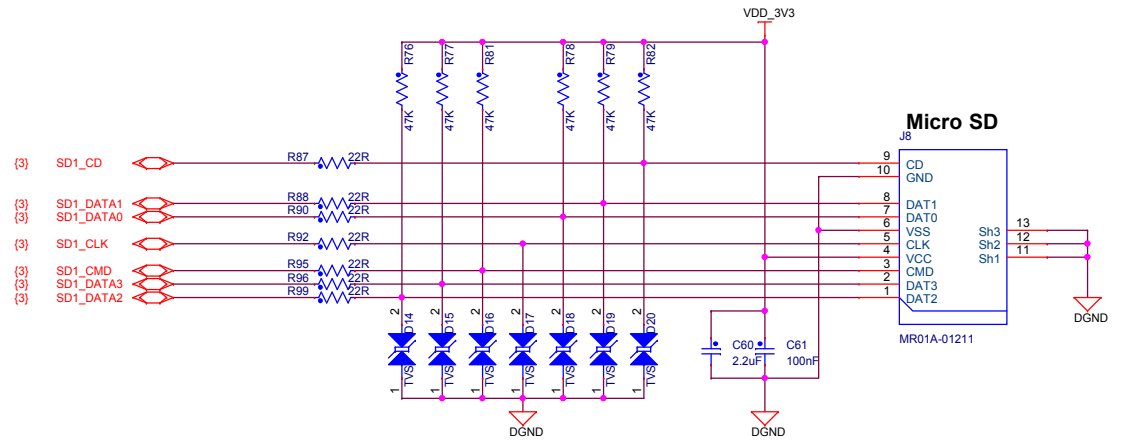
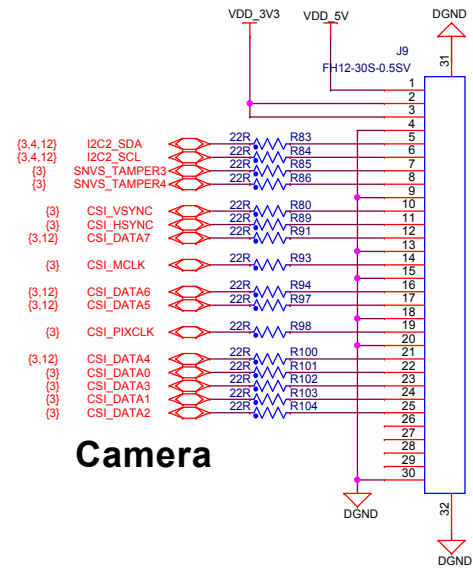
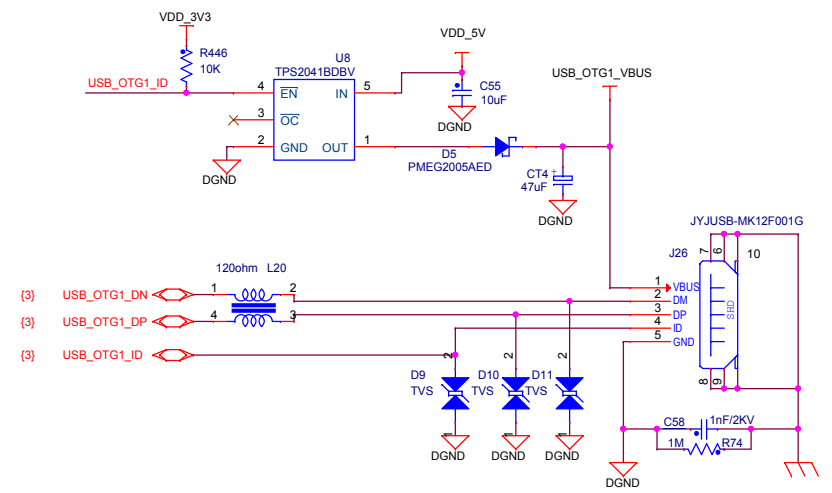
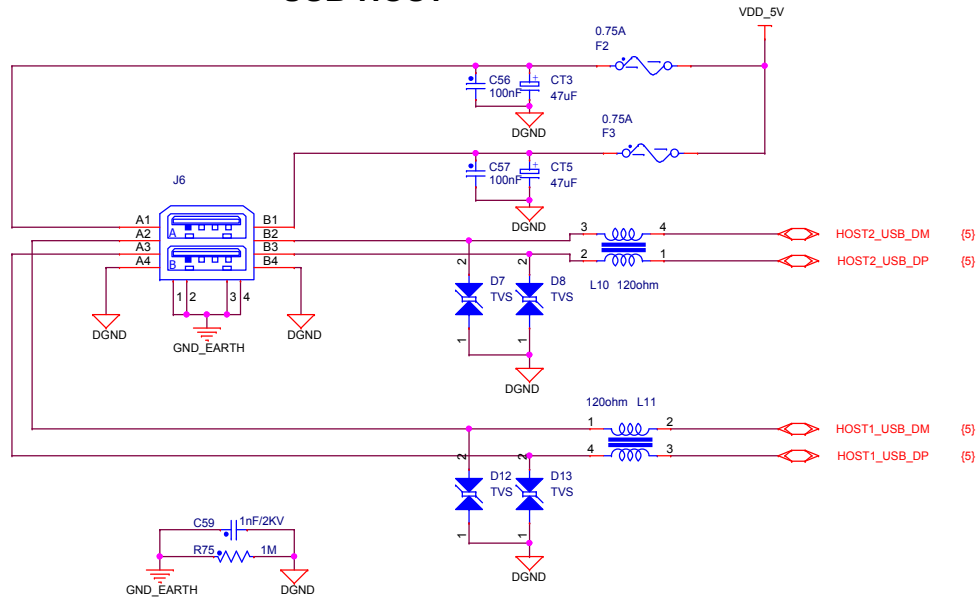


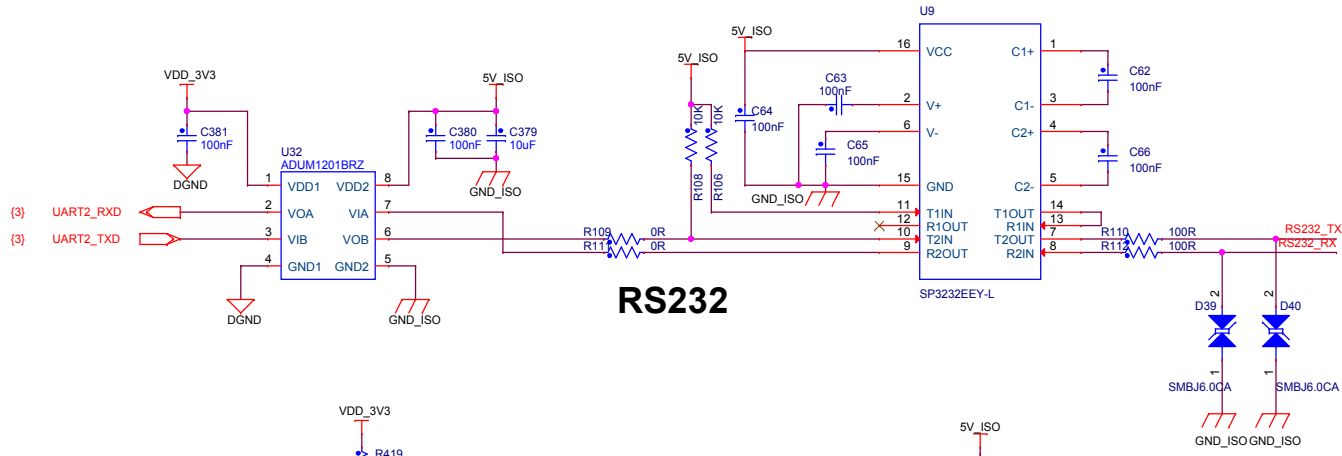
**Audio**



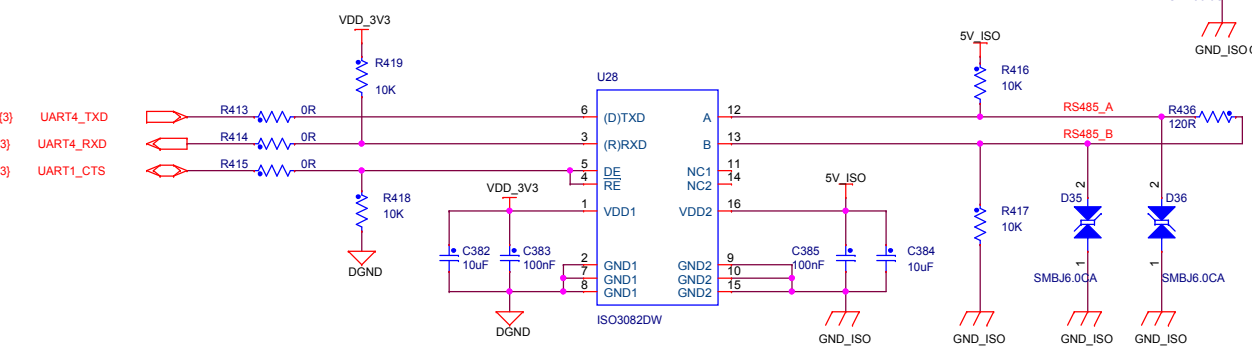
		<a href="http://www.myir-tech.com">http://www.myir-tech.com</a>	
		Title: MYB-Y6ULX	
Size: B	Document Number: USB HUB	Rev: V1.2	
Draw By: MYIR	Date: Wednesday, November 22, 2017	Sheet: 5 of 12	

# USB HOST

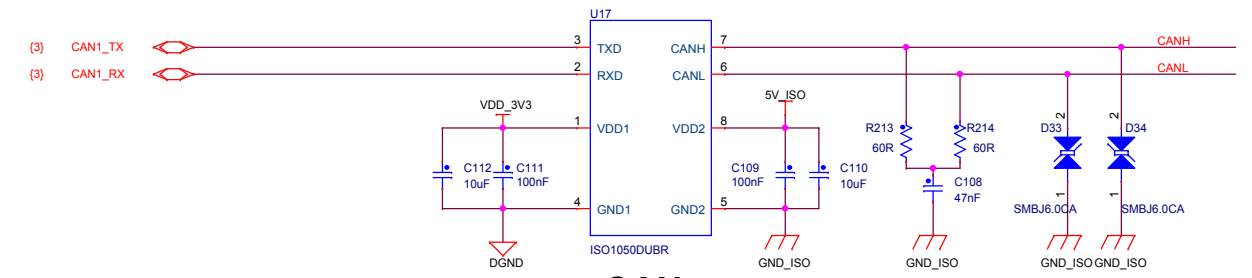




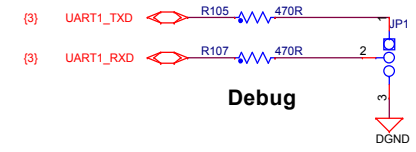
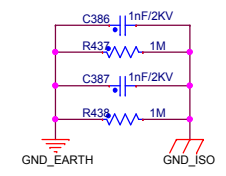
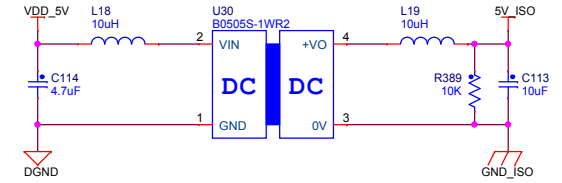
**RS232**



**RS485**



**CAN**



**Debug**

