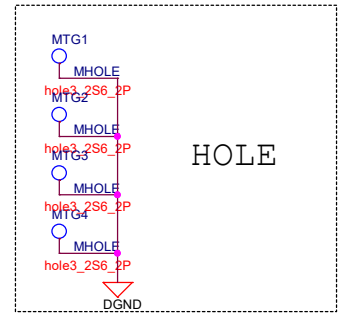
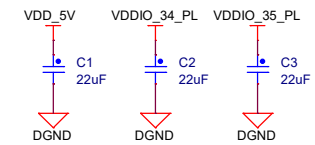
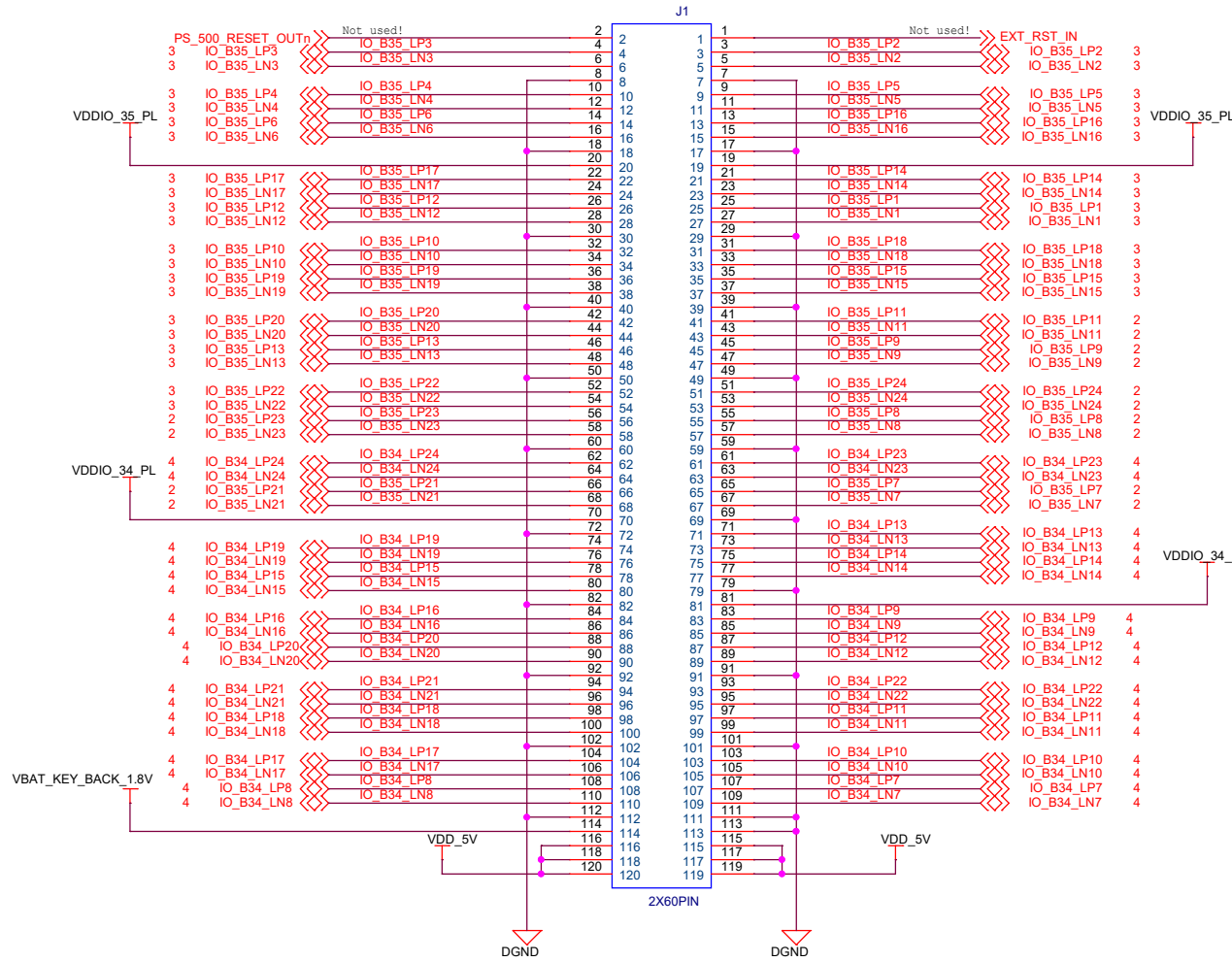
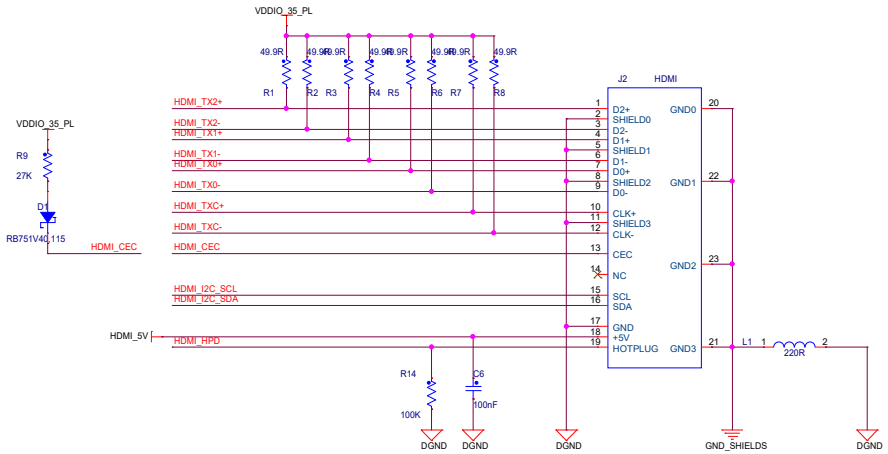
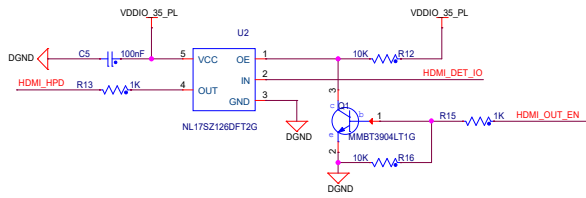
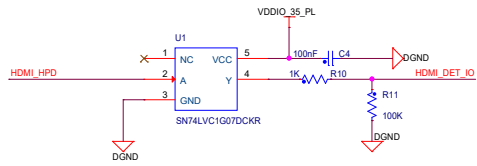


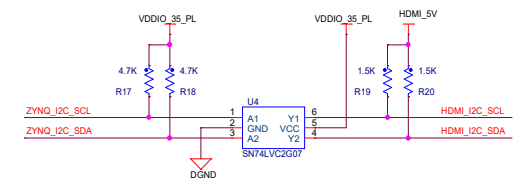
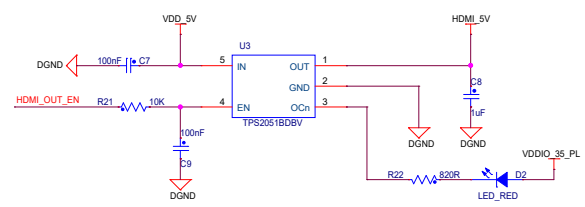
Signals Out:
 BANK35 24 pairs of differential signals;
 BANK34 18 pairs of differential signals;
 PowerOnResetIn & SoftwareResetOut.

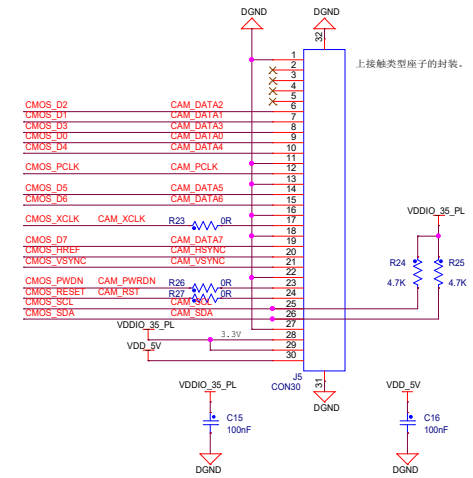
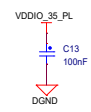
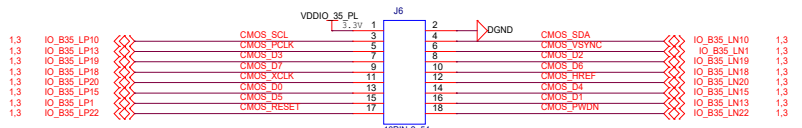
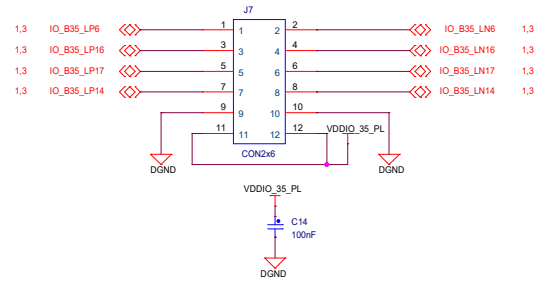
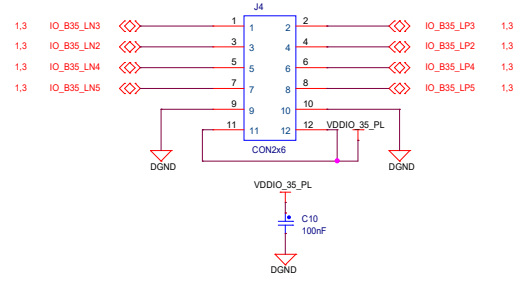
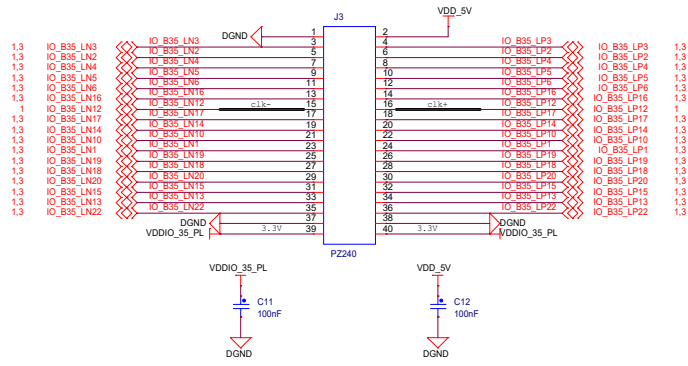


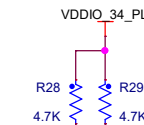
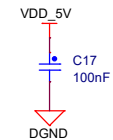
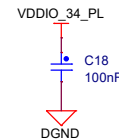
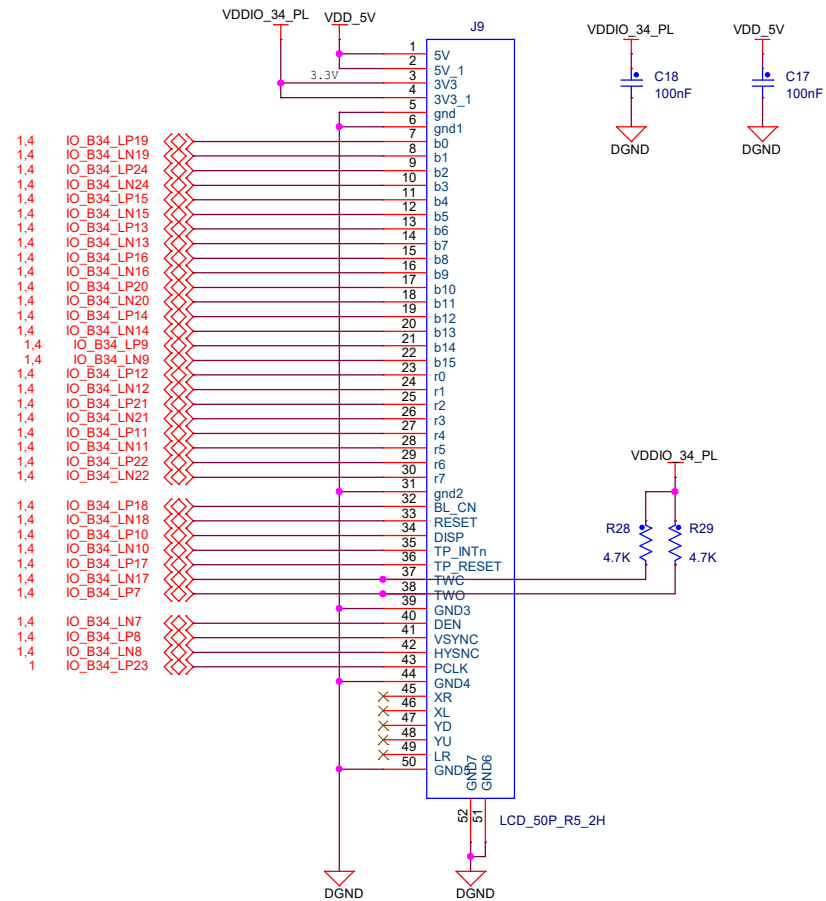
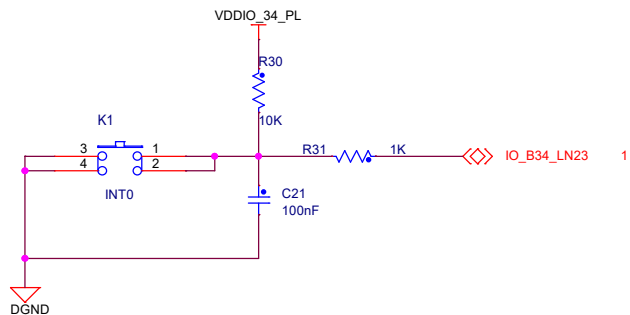
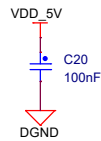
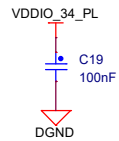
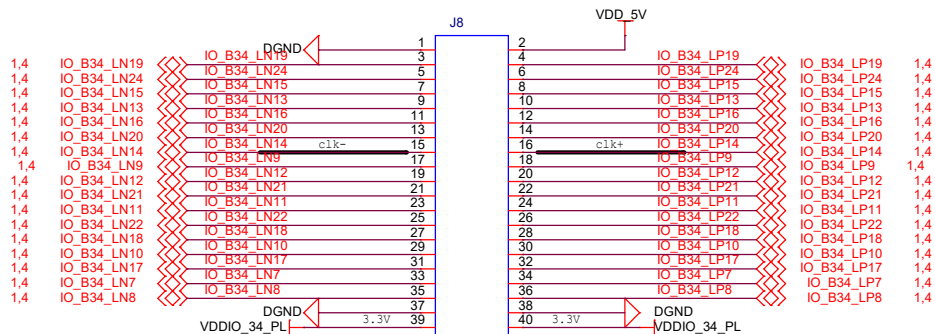
Title		
Z7020_10_CLG400		
Size	Document Number	Rev
B		V1.0
Date:	Monday, July 31, 2017	Sheet 1 of 5



1	IO_B35_LP23	IO_B35_LP23	ZYNQ_I2C_SCL	HDMI_TXC+	IO_B35_LP11	IO_B35_LP11	1
1	IO_B35_LN23	IO_B35_LN23	ZYNQ_I2C_SDA	HDMI_TXC-	IO_B35_DN11	IO_B35_LN11	1
1	IO_B35_LP21	IO_B35_LP21	HDMI_CEC	HDMI_TX2+	IO_B35_LP9	IO_B35_LP9	1
1	IO_B35_LN21	IO_B35_LN21	R32 NC	HDMI_TX2-	IO_B35_LN9	IO_B35_LN9	1
1	IO_B35_LP7	IO_B35_LP7	HDMI_OUT_EN	HDMI_TX1+	IO_B35_LP24	IO_B35_LP24	1
1	IO_B35_LN7	IO_B35_LN7	HDMI_DET_IO	HDMI_TX1-	IO_B35_LN24	IO_B35_LN24	1
				HDMI_TX0+	IO_B35_LP8	IO_B35_LP8	1
				HDMI_TX0-	IO_B35_LN8	IO_B35_LN8	1







Title		
Z7020_10_CLG400		
Size	Document Number	Rev
B		V4.0
Date:	Friday, August 04, 2017	Sheet 4 of 4